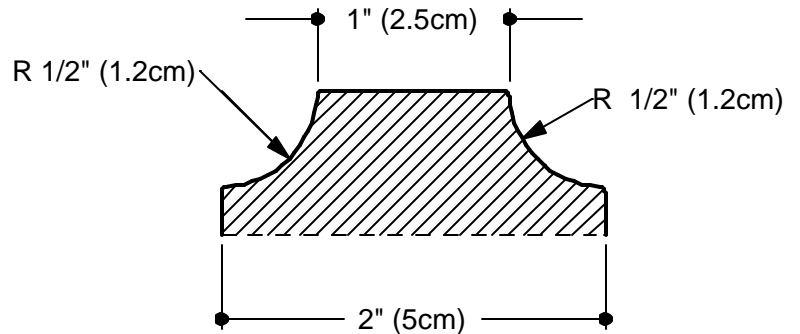
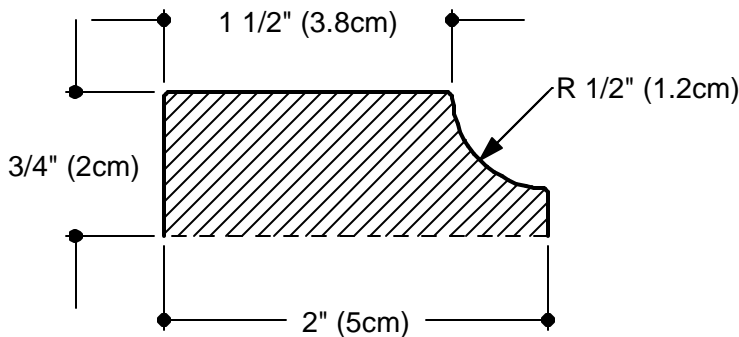


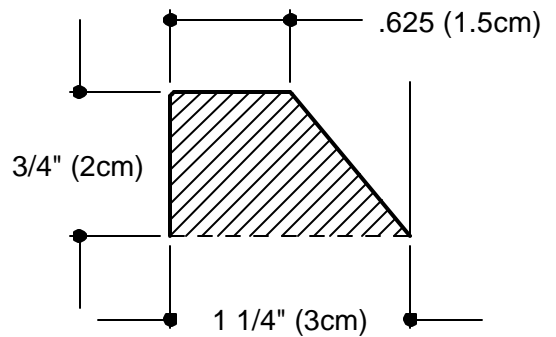
TRIM A



TRIM B



TRIM C



TRIM D

NOTE: THE BOLD OUTLINE SHOWN INDICATES FINISHED CAST SURFACE

MOLD PART	CATALOG No.	DESCRIPTION
MALE	22820	180-20 TRIM A INSIDE CNR 6 CAVITY 120" (305cm)
MALE	22821	180-21 TRIM B CAP 6 CAVITY 120" (305cm)
MALE	22822	180-22 TRIM C EDGE 6 CAVITY 120" (305cm)
MALE	22814	180-14 COMBINATION (A B C) 100" (254cm)
MALE	22850	180-50 DIAMOND D TRIM 4 CAVITY 120" (305cm)
NAME	TRIM MOLDINGS	
CAST WEIGHT	SCALE FULL	DATE 8-30-02 PAGE No. AC-21