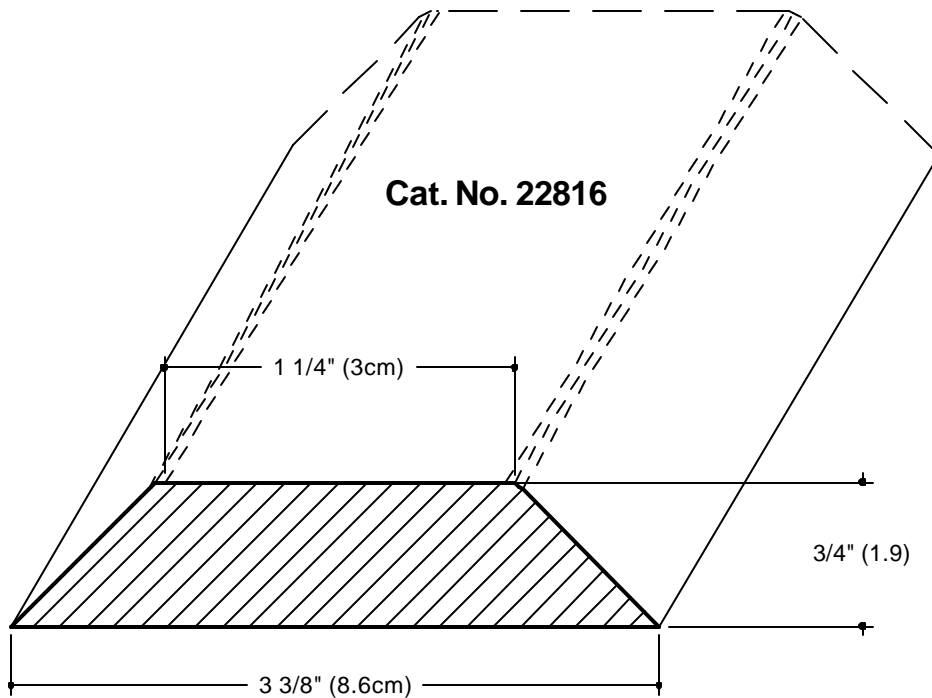
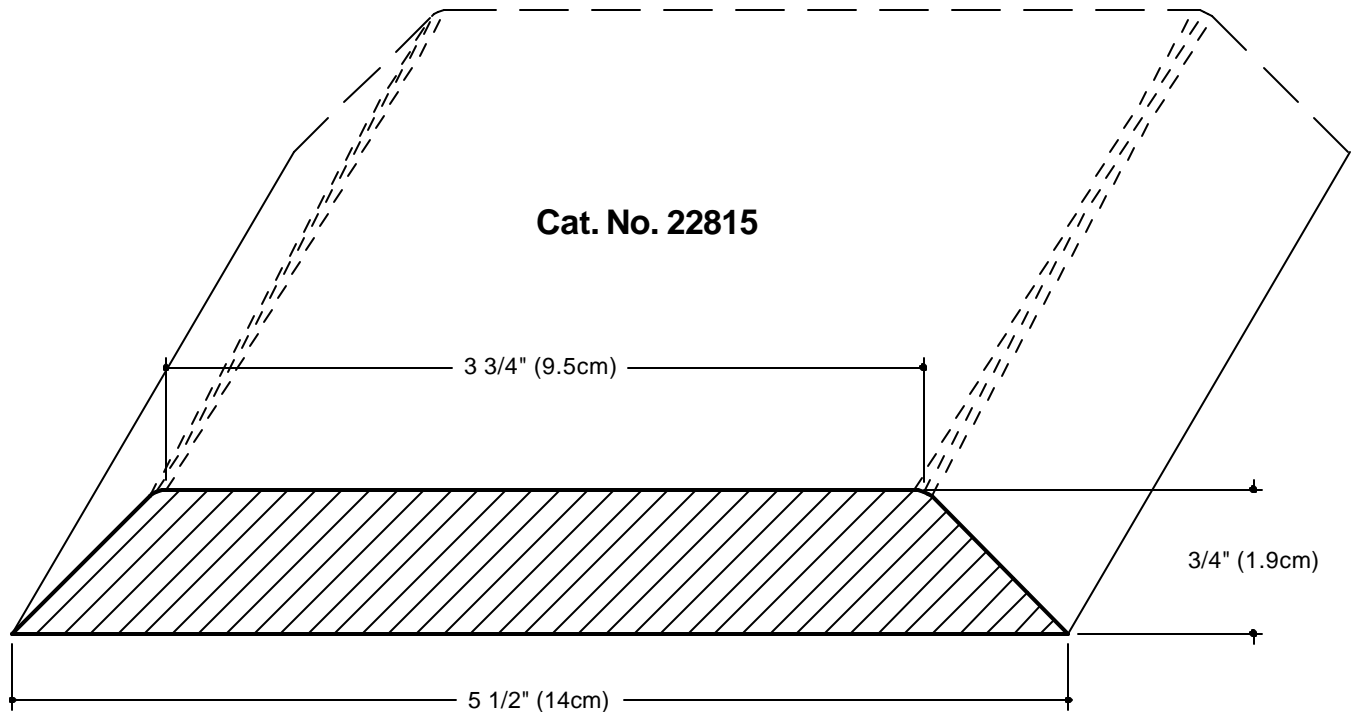


GRUBER SYSTEMS RESERVES THE RIGHT TO CHANGE THIS INFORMATION AT ANY TIME WITHOUT PRIOR NOTICE. ISSUED BY GRUBER SYSTEMS INC., 25636 AVENUE STANFORD, VALENCIA, CA 91355, USA. COPYRIGHT 2002



MOLD PART	CATALOG No.	DESCRIPTION
MALE	22815	180-15 5 x 48 THRESHOLD
MALE	22816	180-16 3 X 48 THRESHOLD
NAME	THRESHOLDS	
CAST WEIGHT	SCALE = 1 : 1	DATE 8-31-02 PAGE No.