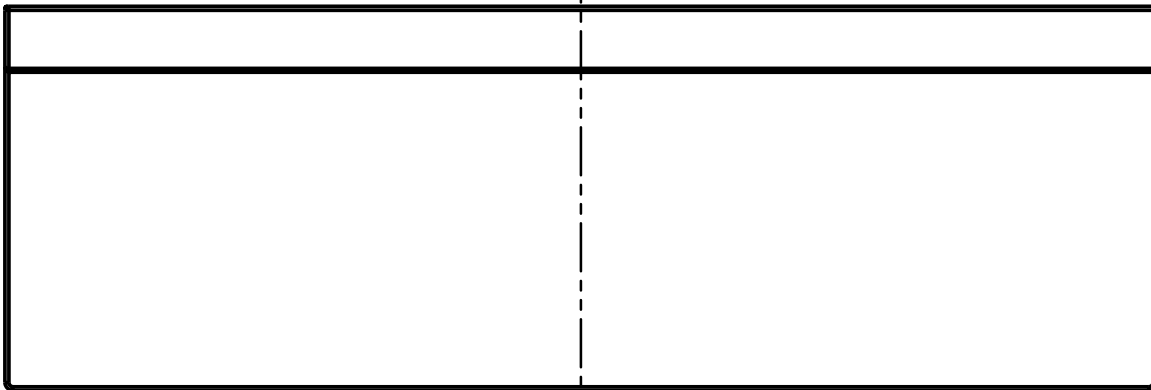
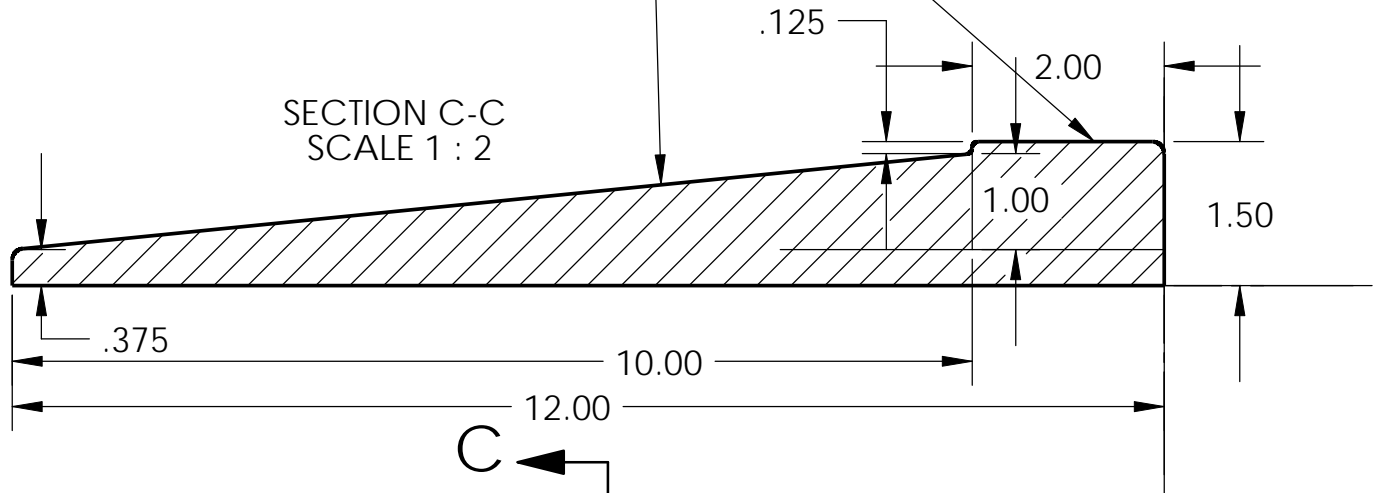
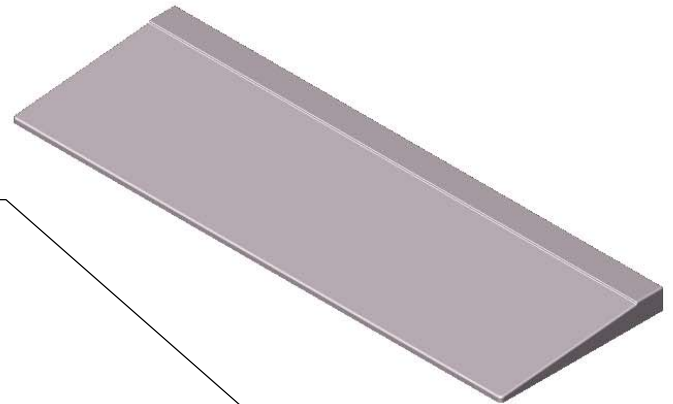


GRUBER SYSTEMS RESERVES THE RIGHT TO CHANGE THIS INFORMATION AT ANY TIME WITH OR WITHOUT PRIOR NOTICE. ISSUED BY GRUBER SYSTEMS INC., 25636 AVENUE STANFORD, VALENCIA, CA 91355, USA. COPYRIGHT 2002

**THRESHOLD COMPLIES WITH
ICC/ANSI A117.1-2003 SECTION 608.7**

**RAMP SLOPE IS 1:10 COMPLIES WITH
ICC/ANSI A117.1-2003 TABLE 405.2**



MOLD PART	CATALOG No.	DESCRIPTION
MALE	226835	12 " X 72 " X 1 1/2" RAMP
FEMALE	N/A	
NAME	12" X 72" X 1 1/2" UNIVERSAL SHOWER PAN RAMP	
CAST WEIGHT	APPROX 32 LBS	SCALE NONE
	DATE	10.20.08
	PAGE No.	