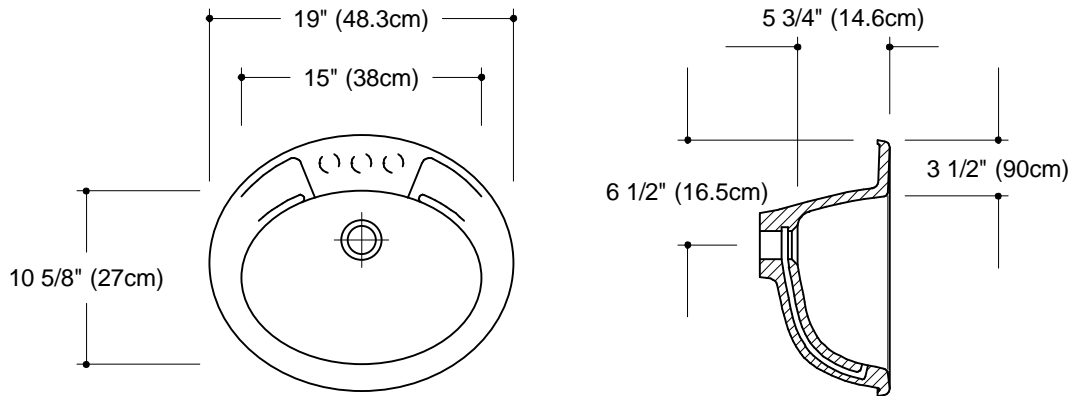
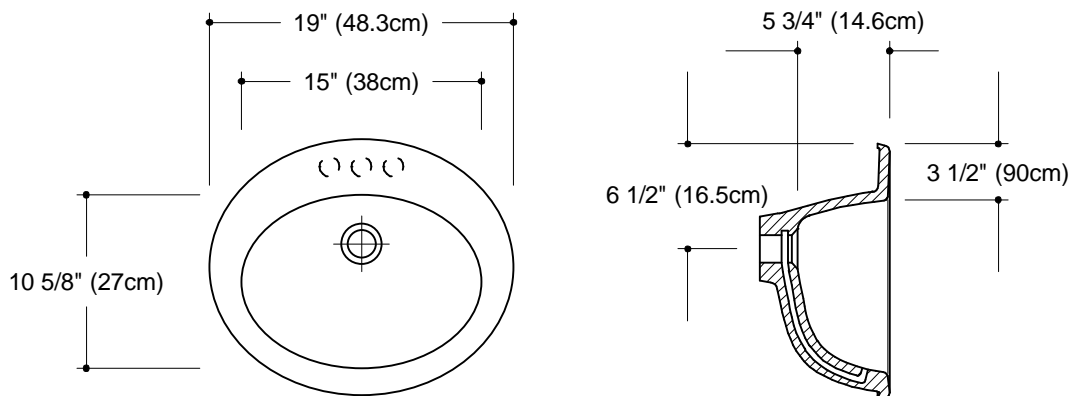


GRUBER SYSTEMS RESERVES THE RIGHT TO CHANGE THIS INFORMATION AT ANY TIME WITHOUT PRIOR NOTICE. ISSUED BY GRUBER SYSTEMS INC., 25636 AVENUE STANFORD, VALENCIA, CA 91355, USA. COPYRIGHT 2002



MOLD PART	CATALOG No.	DESCRIPTION
MALE	20092	102-16 x 19 OVAL w/SOAP DISHES
FEMALE	400918	F-102 16 x 19 OVAL
SPEEDY PLUG	013042	102-16 x19 OVAL SP. PLUG-SE
NAME	102 OVAL w/ soap dish 16" x 19"	
CAST WEIGHT	SCALE 1" = 1' 0"	DATE 8-30-02 PAGE No. BD-1



MOLD PART	CATALOG No.	DESCRIPTION
MALE	20091	102-16 X 19 OVAL
FEMALE	400918	FFL-102 OVAL
SPEEDY PLUG	013042	102-16 x19 OVAL SP. PLUG-SE
NAME	102 OVAL 16" x 19"	
CAST WEIGHT	SCALE 1" = 1' 0"	DATE 8-30-02 PAGE No. BD-1