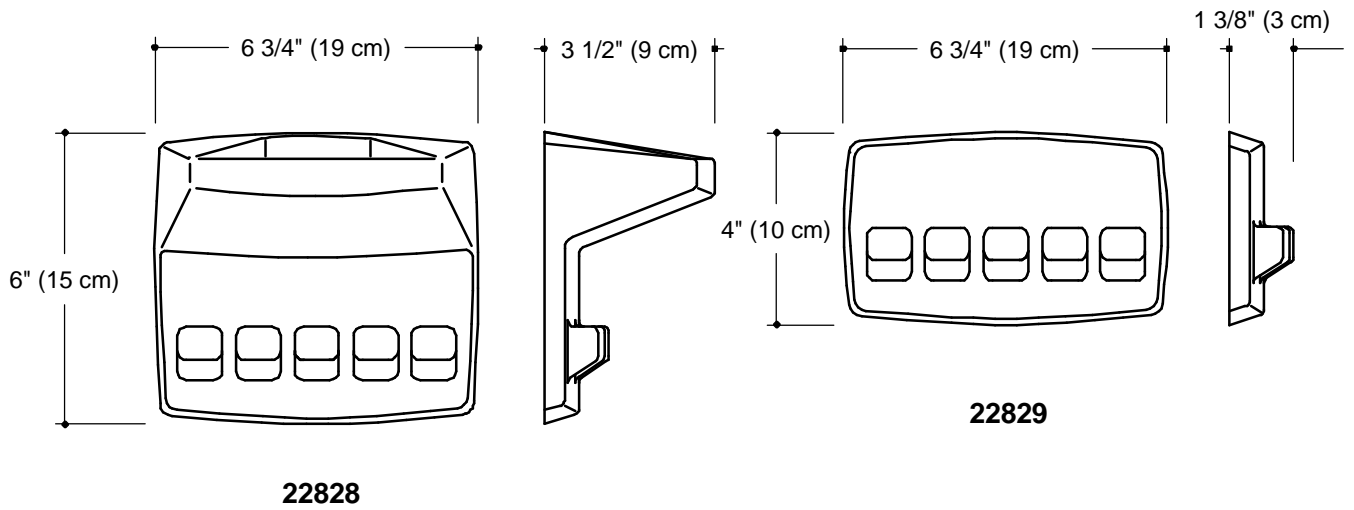
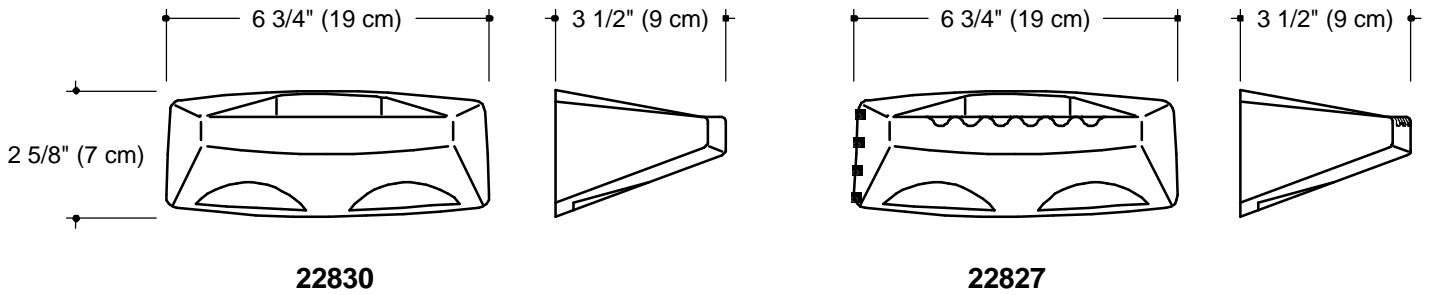


GRUBER SYSTEMS RESERVES THE RIGHT TO CHANGE THIS INFORMATION AT ANY TIME WITHOUT PRIOR NOTICE. ISSUED BY GRUBER SYSTEMS INC., 255.36 AVENUE STANFORD, VALENCIA, CA 91355, USA. COPYRIGHT 2003



MOLD PART	CATALOG No.	DESCRIPTION
MALE	22830	180-30 TUMBLER HOLDER
	22827	180-27 SOAP DISH
	22828	180-28 TUMBLER/TOOTHBRUSH HOLDER
	22829	180-29 TOOTHBRUSH HOLDER
NAME	SCREW TO WALL ACCESSORIES	
CAST WEIGHT	SCALE 1/4" = 1' 0"	DATE Oct. 2003 PAGE No.